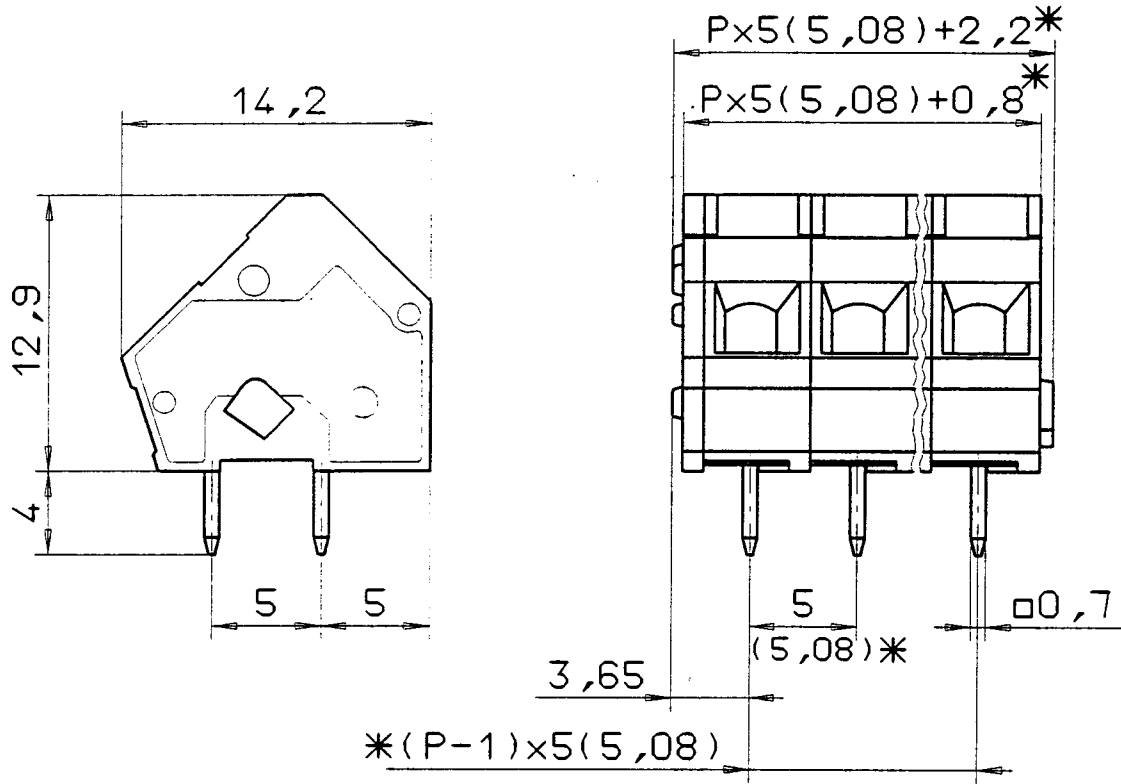


**Ratings:**  
 Current 16A  
 Voltage 300 VB  
 Wire Size 28-14AWG  
 Test Voltage 2.0 kV

**Rated Cross Section:**  
 Single Wire (solid) 2.5mm<sup>2</sup>  
 Stranded Wire (flexible) 2.5mm<sup>2</sup>  
 Stranded Wire with Ferrules 1.5mm<sup>2</sup>

**Dimensions:**  
 Spacing 5.0mm(5.08mm)  
 PCB Hole Diameter 1.0mm(2x)  
 Stripped Length 6.0mm

**Materials:**  
 Insulating Material PA  
 Flammability UL94V-0  
 Temperature -30°C/+105°C  
 Cage Clamp Stainless Steel  
 Wire Guard Cu  
 Color Slade Gray



Part Number  
**ED(Z)3000/[\*][\*]**  
 \* - NUMBER OF POSITIONS

Units  
 mm

Drawing

Reviewed

Approved

Date  
 1/05/96

Sheet 1 of 1

Rev. A